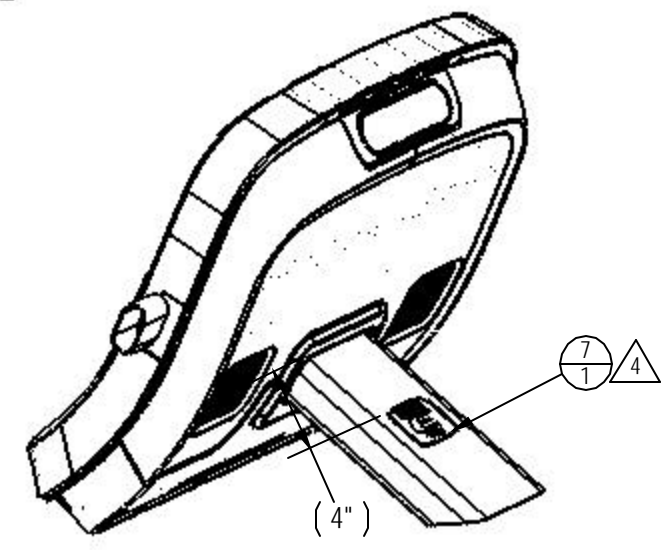
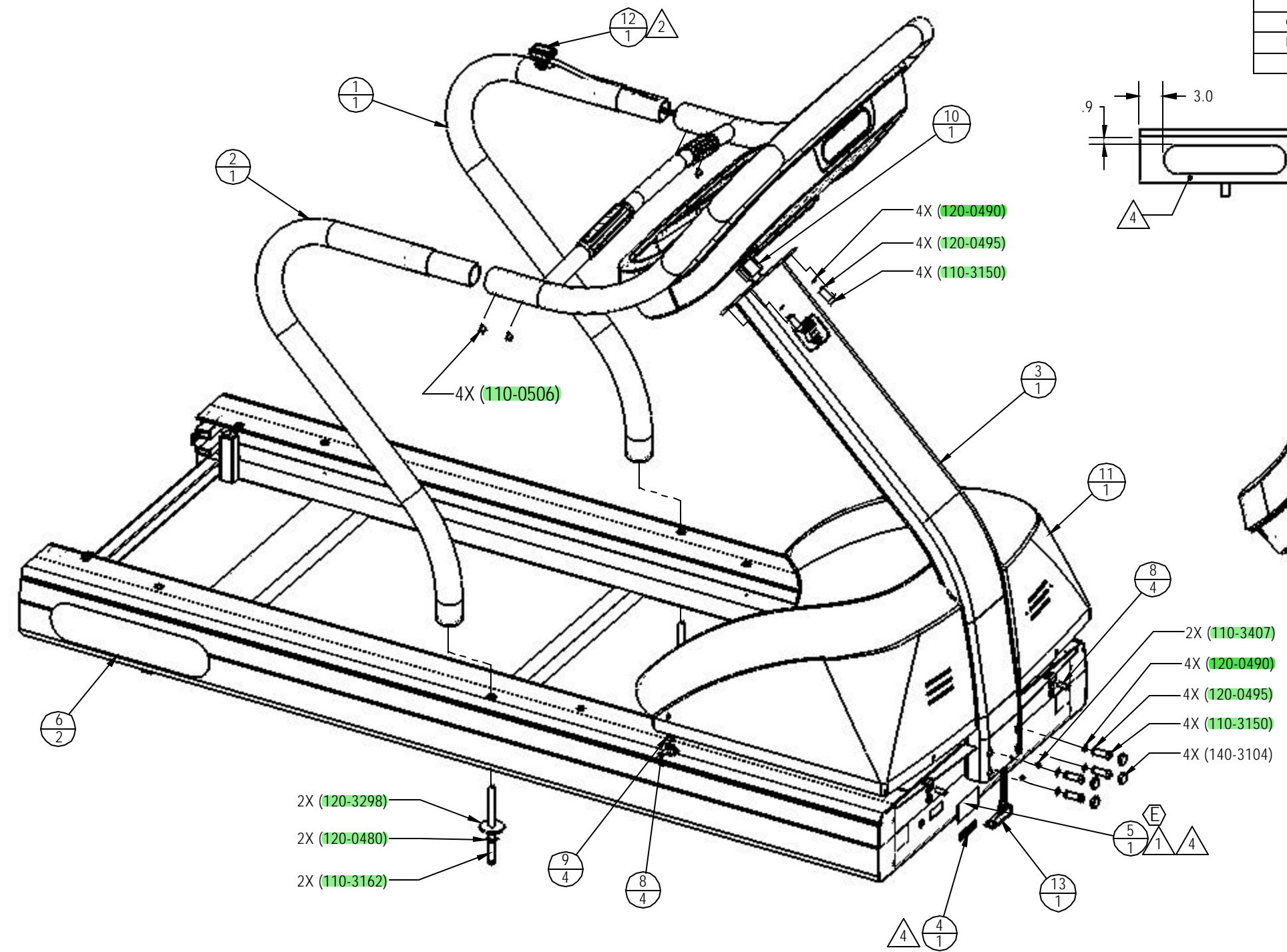


REVISIONS				
REV.	DATE	DESCRIPTION	ECO	BY
A	3/7/2007	PRODUCTION RELEASE, ADD NOTE 1.	11558	VC
B	05-23-07	ADDED P/N 020-7036, 715-3411 , AND 715-3663	11628	SJK
C	07-18-07	ADDED 050-2083 TO BOM, 140-3104 TO REF, AND NOTES	11650	DN
D	11-07-07	ADD REFERENCE DIMENSION FOR BADGE LOCATION	11755	DN
E	09-10-08	REPLACE 050-1816 WITH 050-2070	11990	GM



ITEM	PART NUMBER	DESCRIPTION	QTY
1	020-6239-05	RAIL, SIDE, PRO TR, LEFT	1
2	020-6240-05	RAIL, SIDE, RIGHT, PRO TR	1
3	020-7036	WELDMENT, FRONT RAIL, PRO TR, TV/R	1
4	050-1888	LABEL PATENT NUMBERS, PRO TR	1
5	050-2070	LABEL, SERIAL	1
6	050-2073	LABEL, STAR TRAC, 15X3.55"	2
7	050-2083	BADGE, PRODUCT, E-TR	1
8	110-3107	SCREW, 10-24 x 7/8 ROLOC, PPHCS	4
9	140-3149	FASTENER, U-TYPE, #10-24, .12-.13	4
10	715-3411	ASSY, CABLE, MAIN INTERFACE	1
11	715-3468	SHROUD, W/LOGO, PRO TR	1
12	715-3565	ASSY., STOP SWITCH/CABLE, PRO TR	1
13	715-3663	ASSY, ENTR, HARNESS, TREAD	1

- NOTES:
- 1 REFER TO 9-900X-CONFIG FOR PRINTING INFORMATION.
 - 2 STOP SWITCH TYPE DEPENDS ON MODEL BEING BUILD.
 - 3 ALL PART NUMBERS WITHIN PARENTHESIS ARE PART OF THE TOOL KIT (715-3685).
 - 4 CLEAN AREA WITH ISOPROPYL ALCOHOL PRIOR PLACING BADGE AND LOGOS.

**DOCUMENT STATUS:
RELEASE**

NOTICE OF PROPRIETARY INFORMATION
THIS DOCUMENT SHALL NOT BE REPRODUCED NOR
SHALL THE INFORMATION CONTAINED HEREIN BE
USED BY OR DISCLOSED TO OTHER EXCEPT AS
EXPRESSLY AUTHORIZED BY UNISEN

MATERIAL SEE BOM	TOLERANCES UNLESS OTHERWISE SPECIFIED X.XXX = ± .010" (0.25MM) X.XX = ± .030" (0.76MM) X.X = ± .050" (1.27MM) X = ± .125" (3.20)	INITIAL FJM	DATE 12-01-06
FINISH N/A	ANGLES = ± 2° FRACTIONS = ± 1/32	DRAWN	CHECKED
VENDOR:	P/N:	APPROVED	

UNISEN, INC. DBA 14410 Myford Road
Irvine CA 92606

STAR TRAC

PART NO **715-3646** REV **E**

TITLE **ASSY, HANDRAIL KIT, E-TR**

SCALE: 1:10 SHEET 1 OF 1 SHEET SIZE: B